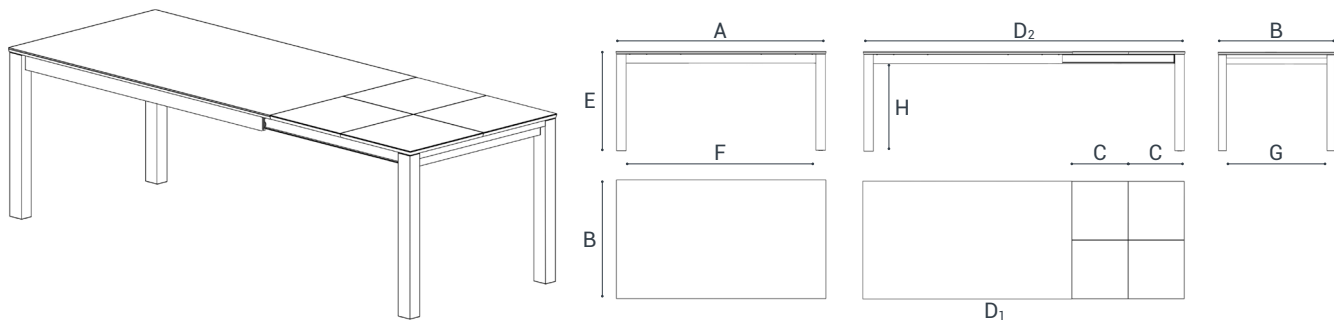


# QUADRA NOVA N!



## DATOS TÉCNICOS | TECHNICAL DATA

| cm             | A   | B   | C    | D <sub>1</sub> | D <sub>2</sub> | E  | F     | G    | H  |   |    |    |
|----------------|-----|-----|------|----------------|----------------|----|-------|------|----|---|----|----|
| <b>110x70</b>  | 110 | 70  | 55x1 | 165            | -              | 75 | 95,4  | 57,8 | 67 | 1 | 4  | 6  |
| <b>120x80</b>  | 120 | 80  | 60x1 | 180            | -              | 75 | 105,4 | 67,8 | 67 | 1 | 6  | 8  |
| <b>140x90</b>  | 140 | 90  | 60x1 | 200            | -              | 75 | 125,4 | 77,8 | 67 | 1 | 6  | 8  |
| <b>160x90</b>  | 160 | 90  | 43x2 | 203            | 246            | 75 | 145,4 | 77,8 | 67 | 2 | 8  | 10 |
| <b>180x90</b>  | 180 | 90  | 43x2 | 223            | 266            | 75 | 165,4 | 77,8 | 67 | 2 | 8  | 12 |
| <b>220x100</b> | 220 | 100 | 50x2 | 270            | 320            | 75 | 205,4 | 87,8 | 67 | 2 | 10 | 14 |

|  |   |  |  |  |  |
|--|---|--|--|--|--|
|  | Número de extensibles<br>Number of extensions |  | Plazas mesa cerrada<br>Closed table seating capacity |  | Plazas mesa abierta<br>Open table seating capacity |
|--|---|--|--|--|--|

**VERSIÓN EXTENSIBLE**  
EXTENDING VERSION

**VERSIÓN FIJA**  
FIXED VERSION

**Sección de pata:**  
Leg section:  
73x61 mm

**Extensibles tipo libro**  
Butterfly leaf extensions

**Pata móvil con rueda**  
Wheeled moving leg

**Freno por fricción**  
Friction brake

**Nivelación extensible-encimera**  
Extension-worktop leveling

## MATERIALES | MATERIALS

**MATERIALES:**  
MATERIALS:

**Patas: Madera maciza de haya**  
Legs: Solid beech wood

**Armazón: Aluminio | Laminado alta presión**  
Frame: Aluminium | High pressure laminate

**Encimera y Extensibles: Laminado | Fenix | Cristal | Porcelánico**  
Worktop and Extensions: Laminate | Fenix | Glass | Ceramic



**ESPESOR ENCIMERA:**  
WORKTOP THICKNESS:

**Laminado** 16mm | **16 mm Laminado | Laminate**

**FENIX <sup>NTM</sup>** 17mm | **1 mm FENIX | FENIX**  
**+ 15 mm Madera contrachapada | Plywood**  
**1 mm FENIX | FENIX**

**Cristal** 21mm | **6 mm Cristal | Glass**  
**+ 15 mm Madera contrachapada | Plywood**

**Porcelánico** 11mm | **3 mm Porcelánico | Ceramic**  
**+ 8 mm Cristal Templado | Tempered Glass**

**ESPESOR EXTENSIBLES:**  
EXTENSIONS THICKNESS:

**16 mm Laminado | Laminate**

**1 mm FENIX | FENIX**  
**+ 15 mm Madera contrachapada | Plywood**  
**1 mm FENIX | FENIX**

**4 mm Cristal Templado | Tempered Glass**  
**+ 15 mm Madera contrachapada | Plywood**

**3 mm Porcelánico | Ceramic**  
**+ 16 mm Fibracolor | Fibracolor**



## ACABADOS | FINISHES



## PATAS | LEGS



|                                 |                        |                         |                        |                  |
|---------------------------------|------------------------|-------------------------|------------------------|------------------|
| Madera Teñida<br>Stained Wood   | Blanqueada<br>Bleached | Tostada<br>Toasted      | Canaletto<br>Canaletto | Trufa<br>Truffle |
| Madera Lacada<br>Lacquered Wood | Blanco<br>White        | Antracita<br>Anthracite | Negro<br>Black         |                  |

## ENCIMERA | WORKTOP



|                        |   |                                       |                              |                           |                                     |
|------------------------|---|---------------------------------------|------------------------------|---------------------------|-------------------------------------|
| Laminado<br>Laminate   | B | Blanco super poro<br>Super pore White | Concrete                     | Carbon                    |                                     |
| FENIX <sup>NTM</sup>   |   | Alaska                                | Londra                       | Bromo                     | Ingo                                |
| Cristal<br>Glass       | C | Antracita Brillo<br>Glossy Anthracite | Negro Brillo<br>Glossy Black | Rojo Brillo<br>Glossy Red | Tórtola Brillo<br>Glossy Turtledove |
|                        | D | Blanco Brillo<br>Glossy White         | Blanco Mate<br>Matt White    |                           |                                     |
| Porcelánico<br>Ceramic | E | Beton                                 | Cement                       | Basalt                    | Nero                                |
|                        | F | Artic                                 | Calacatta                    | Iron Moss                 |                                     |

## ARMAZÓN | FRAME



Siempre mismo color que patas  
Always same color as legs

## EXTENSIBLES | EXTENSIONS



Siempre mismo color que encimera  
Always same color as worktop